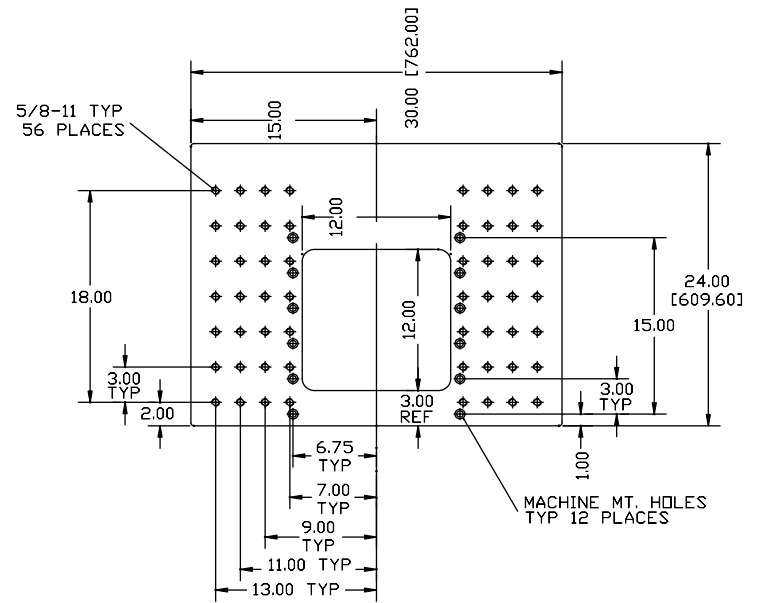
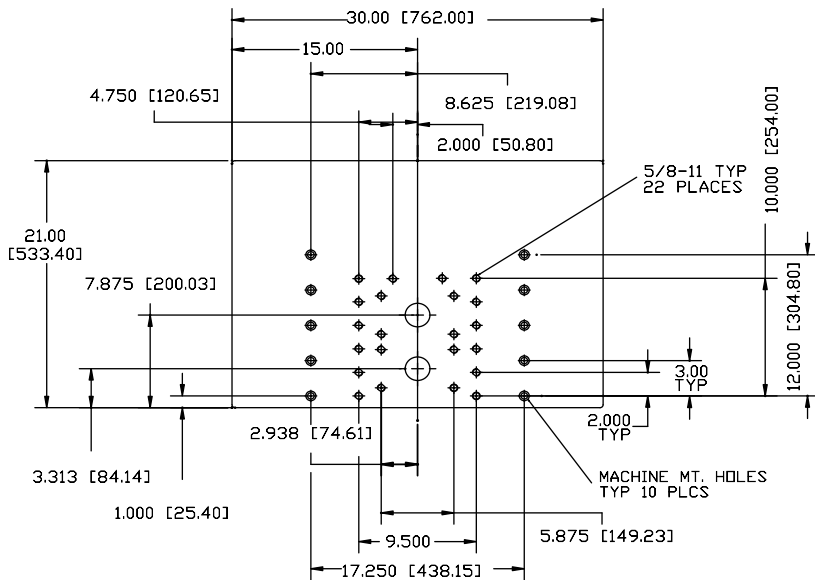


PLATEN, 2.00" FRONT



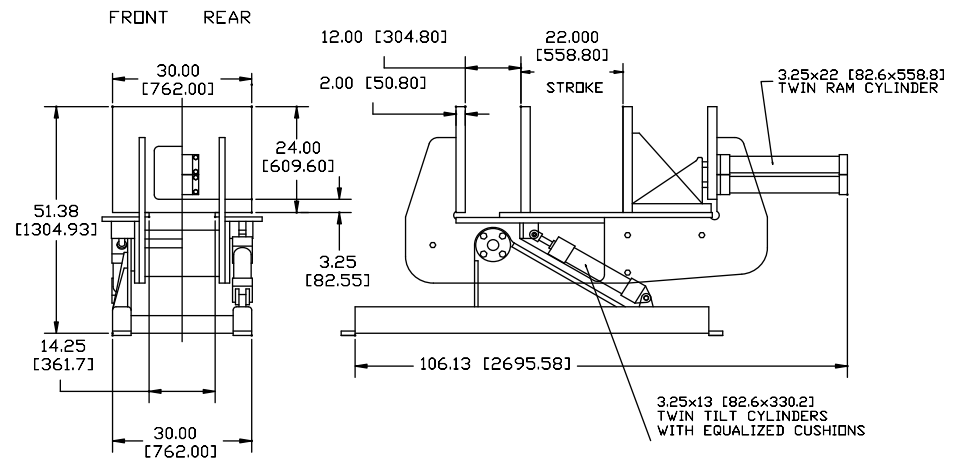
PLATEN, 2.00" MOVABLE



PLATEN, 2.00" REAR

KEY: INCHES[MM]

MAX. HEIGHT
TILTED UP 96.38 [2448.10]



PERMANENT MOLD MACHINES