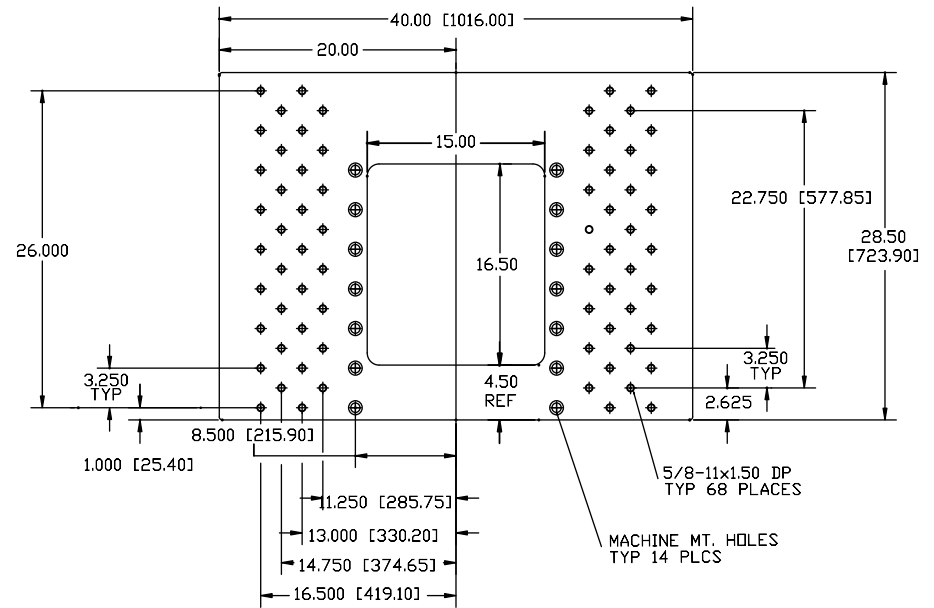
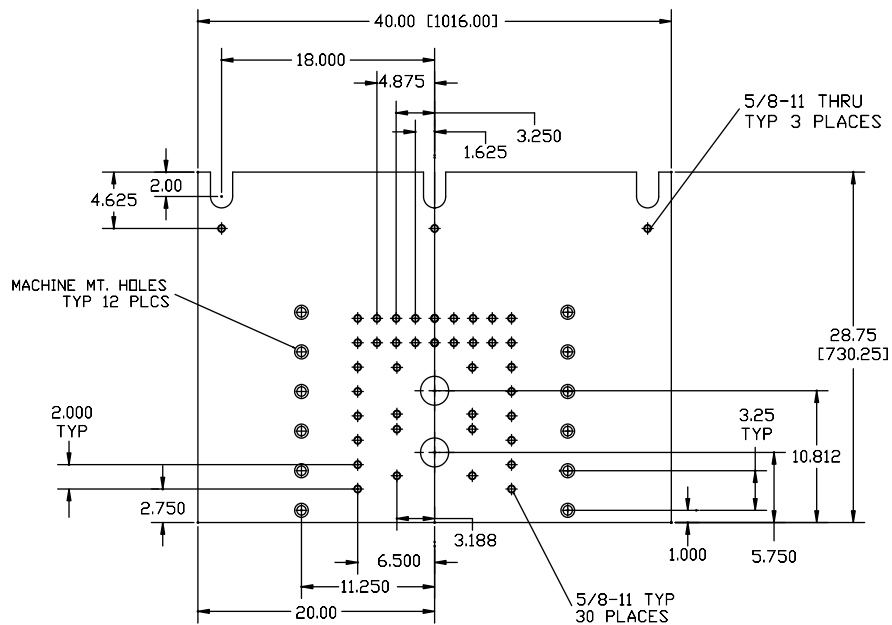


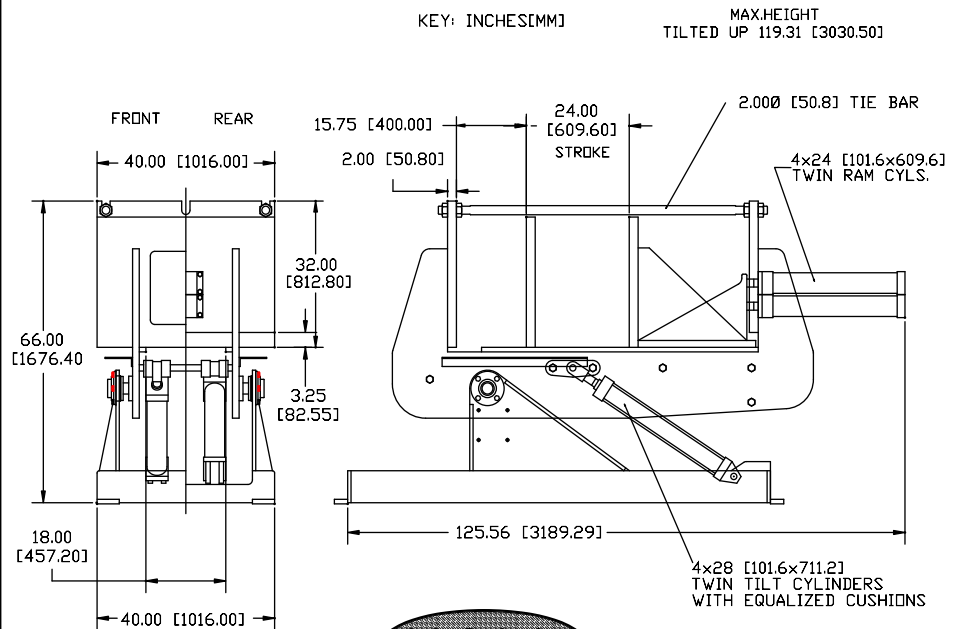
PLATEN, 2.00' FRONT



PLATEN, 2.00' MOVABLE



PLATEN, 2.00' REAR



PERMANENT MOLD MACHINES