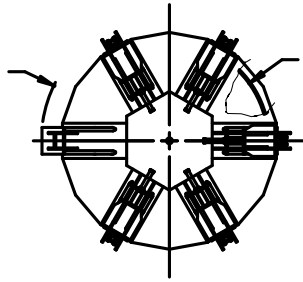
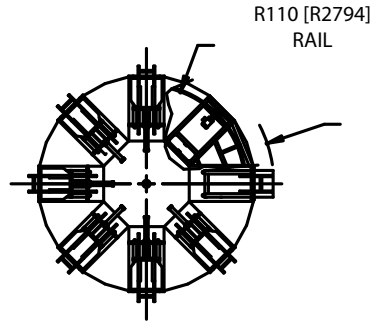


R144 [R3653]  
MAX. CLEARANCE



6 STATION 2H

R111 [R2819]  
RAIL

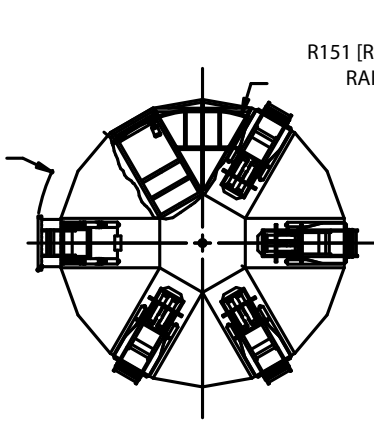


8 STATION 2H

R143 [R3630]  
MAX. CLEARANCE

KEY: INCHES(MM)

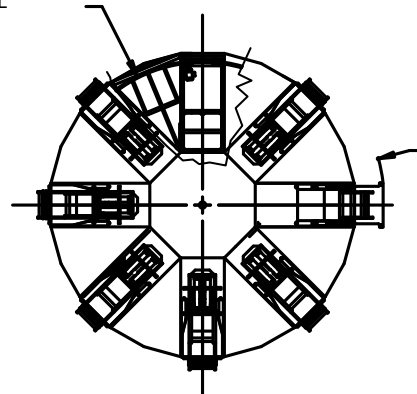
R187 [R4747]  
MAX. CLEARANCE



6 STATION 3HS

R151 [R3835]  
RAIL

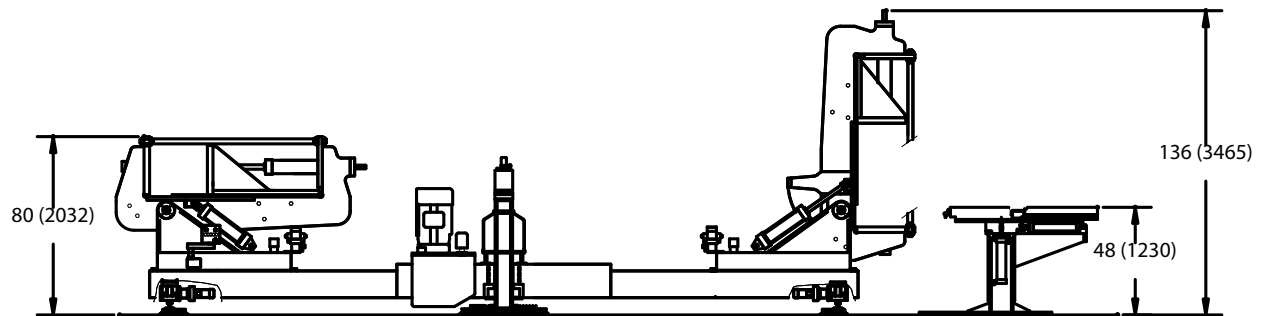
R162 [R4115]  
RAIL



8 STATION 3HS

R204 [R5184]  
MAX. CLEARANCE

COMMON ROTARY TABLE FOOTPRINT DIMENSIONS



TYPICAL 3HS ROTARY CROSS SECTION  
WITH CASTING CATCHER